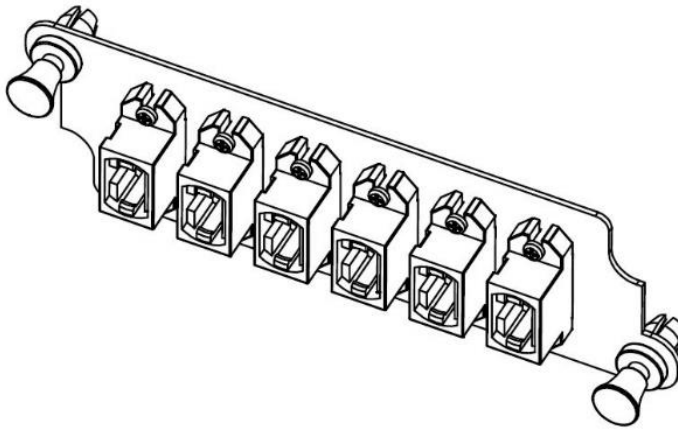


UCCONNECT®

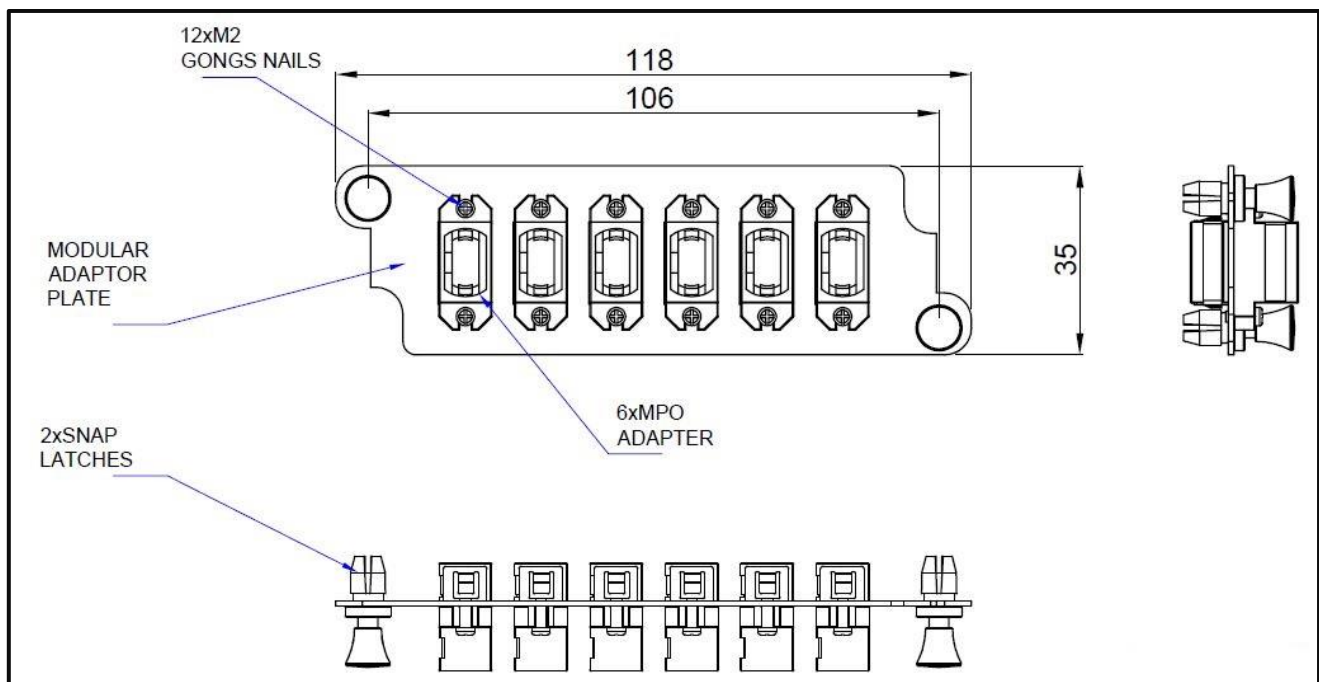
UC9500 Light Weight Fibre Suite – MPO Adaptor Panel



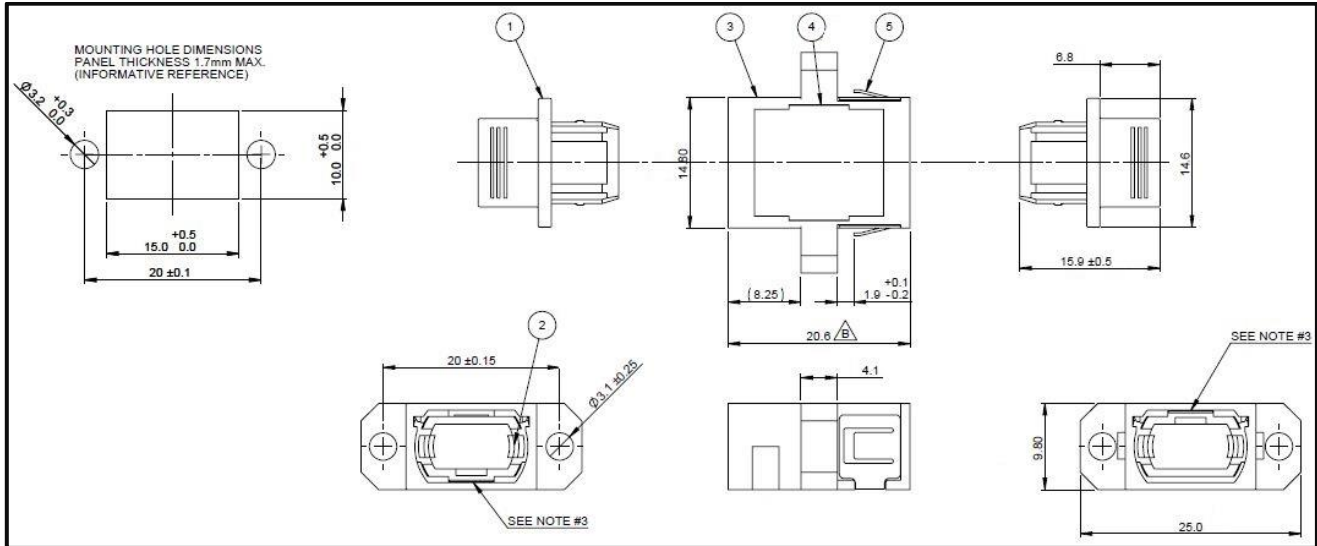
- SPCC Steel (Cold rolled steel Plate), thickness 1.2mm
- Powder Coating (water mark)
- Compatible with UC9500 Series Patch Panels, i.e. PP9510, PP9515, PP9520 and PP9540

Construction

Panel:



MPO Adaptor:



Ordering Information

SAP1C	Material Description	Weight	Items per Packaging Unit
TBA	PPA9516-6 UC9500 1U 6 Slot MPO Adaptor Panel w/o adaptor	12g	8
TBA	PPA9516-6MA UC9500 1U 6 Slot MPO Adaptor Panel with Type A MPO adaptor	50g	4
	PPA9516-6MB UC9500 1U 6 Slot MPO Adaptor Panel with Type B MPO adaptor	50g	4
Related Products			
YPMBP02543	PP9510 UC9500 1U Fibre Distribution Modular Panel, 4 Slot, Empty, Fixed	3260g	1
TBA	PP9515 UC9500 1U Fibre Distribution Modular Panel, 4 Slot, Empty, Drawer	4000g	1
YPMBP02671	PP9520 UC9500 2U Fibre Distribution Modular Panel, 8 Slot, Empty, Fixed	6000g	1
TBA	PP9540 UC9500 4U Fibre Distribution Modular Panel, 12 Slot, Empty, Drawer	6000g	1

Enquiries

Please contact our local sales office or mms.asia@prysmiangroup.com

Multimedia Solutions is the data communication portfolio of Prysmian Group and comprises all the necessary portfolio of cable solutions for data communication.

Ask about UC CONNECT for a complete Structure Cabling Solutions with 25 Years System Warranty.

Visit www.DrakaUC.com for more information.

© PRYSMIAN GROUP 2019, All Rights Reserved

All sizes and values without tolerances are reference values. Specifications are for product as supplied by Prysmian Group: any modification or alteration afterwards of product may give different result.

The information contained within this document must not be copied, reprinted or reproduced in any form, either wholly or in part, without the written consent of Prysmian Group. The information is believed to be correct at the time of issue. Prysmian Group reserves the right to amend this specification without prior notice. This specification is not contractually valid unless specifically authorised by Prysmian Group.